
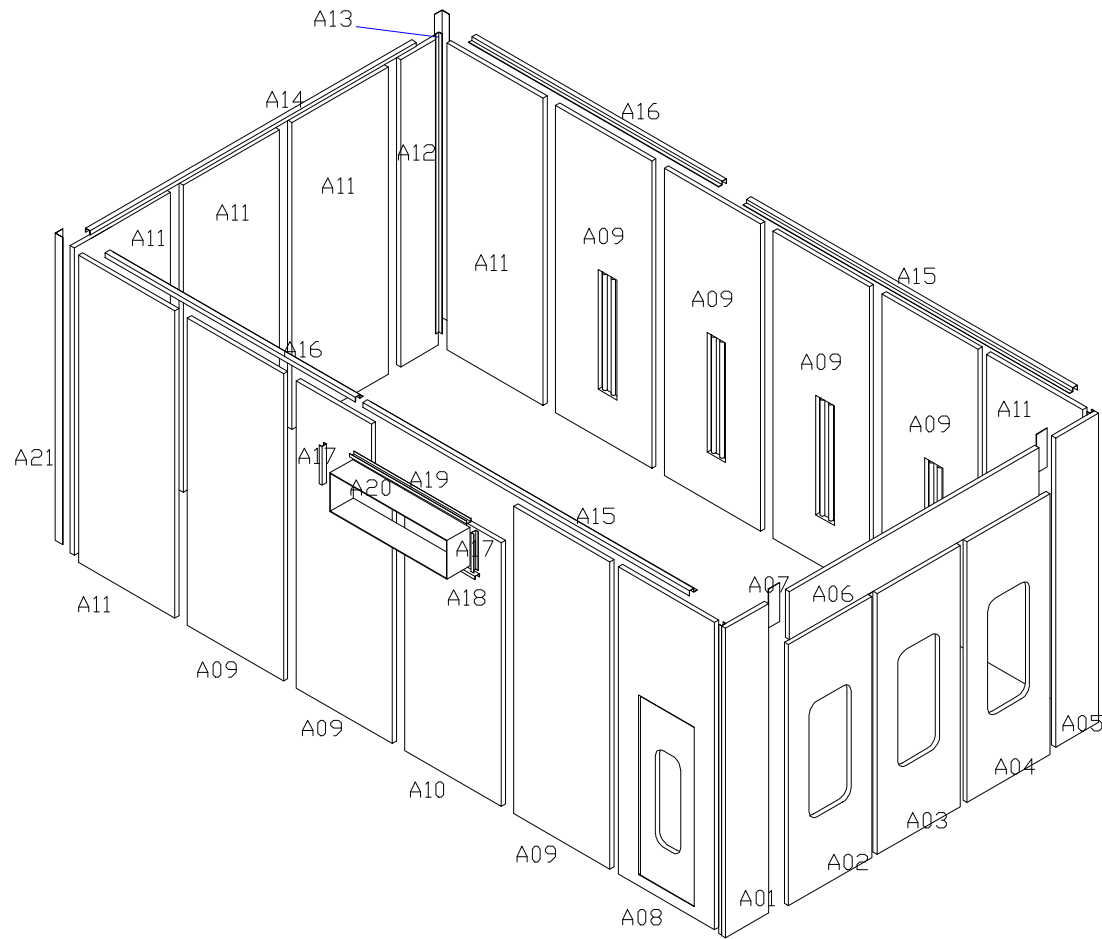


9	D09-2	grids	3*850*750*30	3	
9	D09-1	grids	3*1000*750*30	18	
8	D08	floor filter support	750*1140	12	
7	D07	reinforced parts of basement	3952	4	
6	D06	middle support frame of basement	2286×80×300	12	
5	D05	rear plate of basement	4006×300	1	
4	D04	side panel of basement	2286×300 (空)	1	
3	D03	side panel of basement	2286×300	5	
2	D02	front panel of basement	4006×82×300 (330)	1	
1	D01	ramp	2000×630×50	2	
No.	Item No.	Name	Spec.	Qty.	

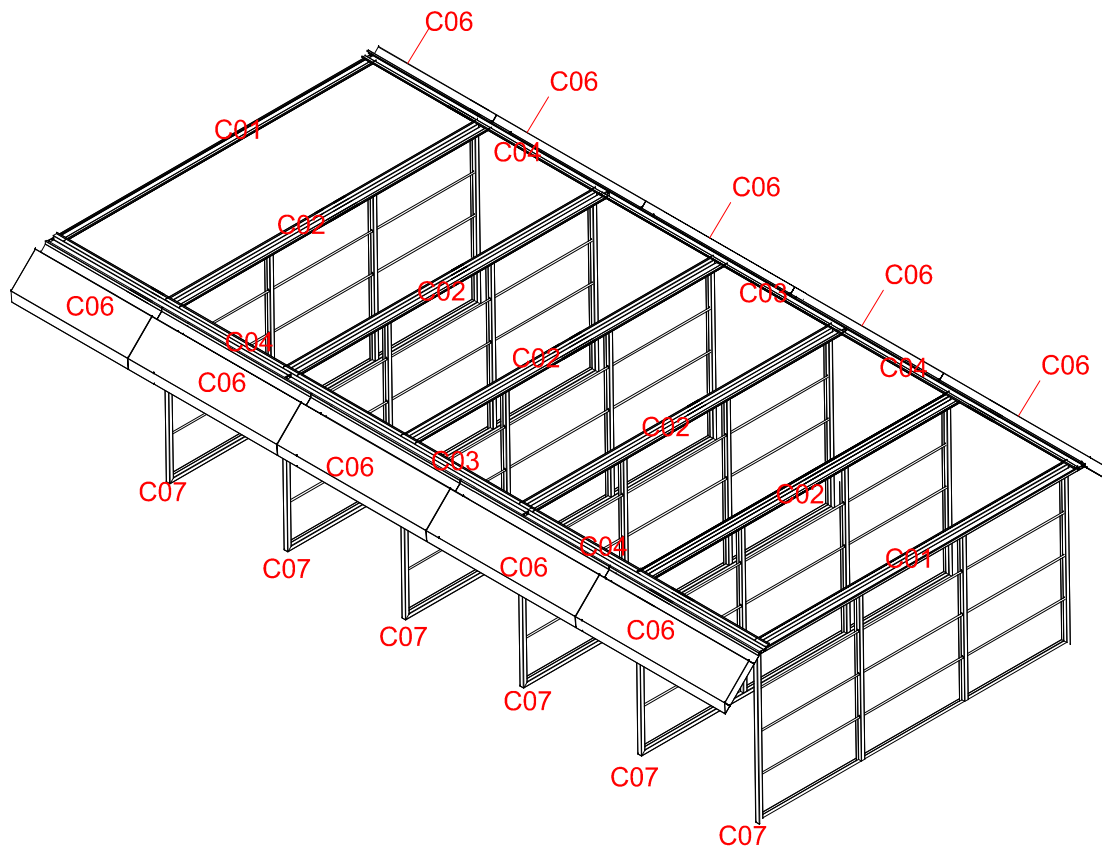
15	D15	bottom of generator	940*60*300	3	
14	D14	bottom of generator	3035x253x300	1	
13	D13	bottom of generator	3035x60x300	1	
12	D12	bottom of generator	1255×60×300	2	
11	D11	floor filter		35meter	
	D10-2	grids	4*850*750*30	2	
	D10-1	grids	4*1000*750*30	12	
No.	Item No.	Name	Spec.		

			GL2-N2(GL3-N2)		
Basement installation			图样标记	重量	比例
					1:57
			共	张	第
			 GZ GUANGLI EFE CO., LTD.		
设计	GWV	标准化			
绘图					
(审核)		(审核)			
(工艺)		日期			



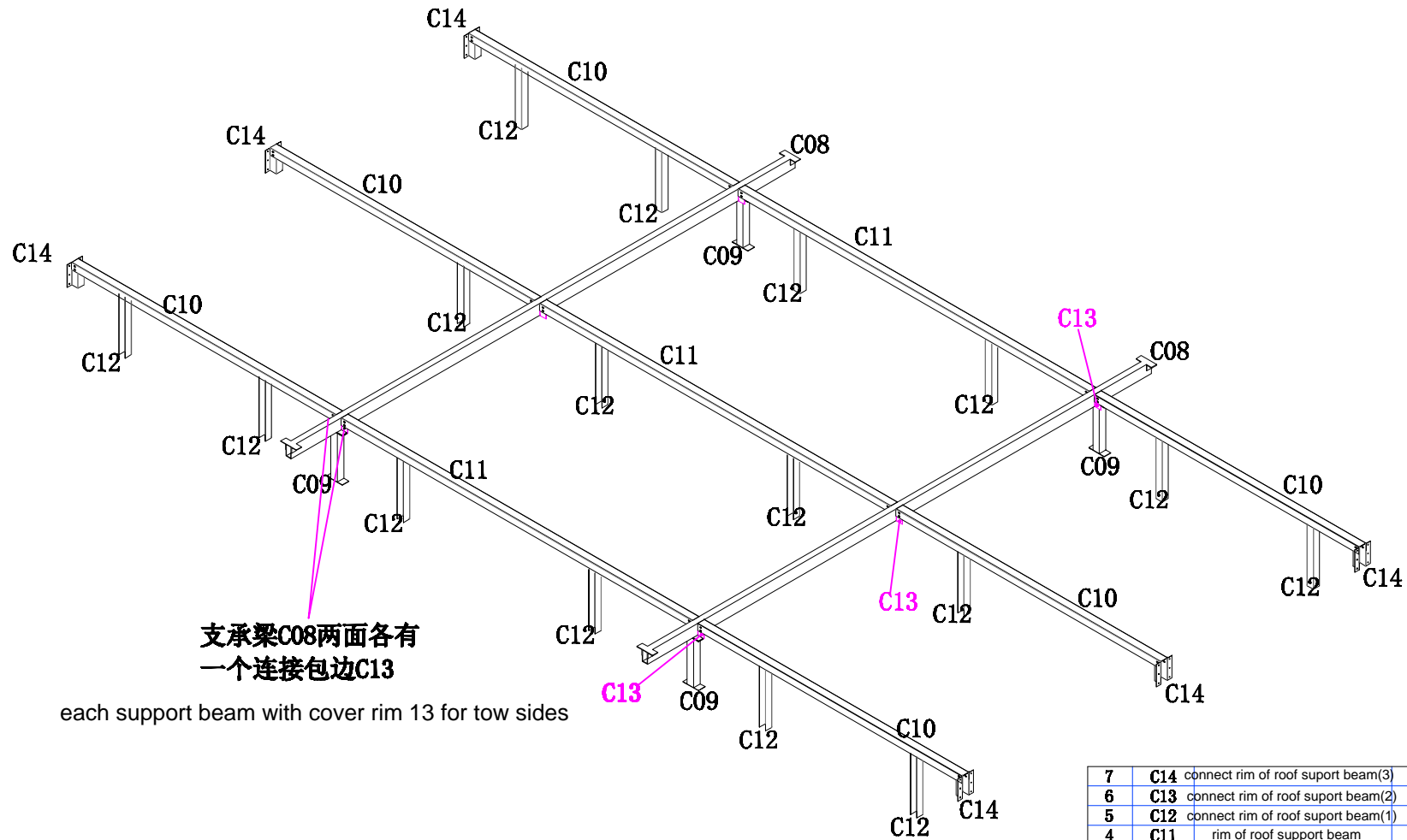
21	A21	external rim	3190	2	
20	A20	air-inlet	1420x400x250	1	
19	A19	up rim of air-inlet	1420X50	1	
18	A18	bottom rim of air-inlet	1420X53	1	
17	A17	side rim of air-inlet	400X53	2	
16	A16	rim 2 of wall panel	2990X93	2	
15	A15	rim of wall panel	3900X93	2	
14	A14	rim of back wall panel	3900X53	1	
13	A13	internal rim	3100	2	
12	A12	wall panel	3180X450	1	
11	A11	wall panel	3180X1150	6	
10	A10	wall panel with air-inlet	3180X1150	1	with side light
9	A09	side light	3180X1150	7	
8	A08	service door	3180X1145	1	
7	A07	conneceted plate	128X250	2	
6	A06	header panel	480x3000	1	
5	A05	right stand panel	503X3185	1	
4	A04	front door(right)	993X2686	1	
3	A03	front door(middle)	993X2686	1	
2	A02	front door(left)	993X2686	1	
1	A01	left stand panel	503X3185	1	
No.	Item No.	Name	Spec.	Qty.	

				Booth layout		GL2-N2(GL3-N2)					
				图样标记		重量		比例			
								1:63			
				共		张		第		张	
				GZ GUANGLI EFE CO., LTD.							



6	C07	iron filter frame	1504*1040*27	12
6	C06	light box	1378x417	10
5	C05	middle connected plate of filter groove	1050*40*25	6
4	C04	roof sealing plate	0.9*2445*148	2
3	C03	roof sealing plate	0.9*2000*148	4
2	C02	horizontal filter groove B	0.9*3016*88	5
1	C01	horinzontal filer groove A	0.9*3016*88	2
No.	Item No.	Name	Spec.	Qty.


GL2-N2(GL3-N2)		图样标记		重量	比例
Plenum layout		共 张		第 张	
标准	共数	更改大写字	签字	日期	
设计		标准化			
绘图					
(审核)		(审核)			
(工艺)		日期			

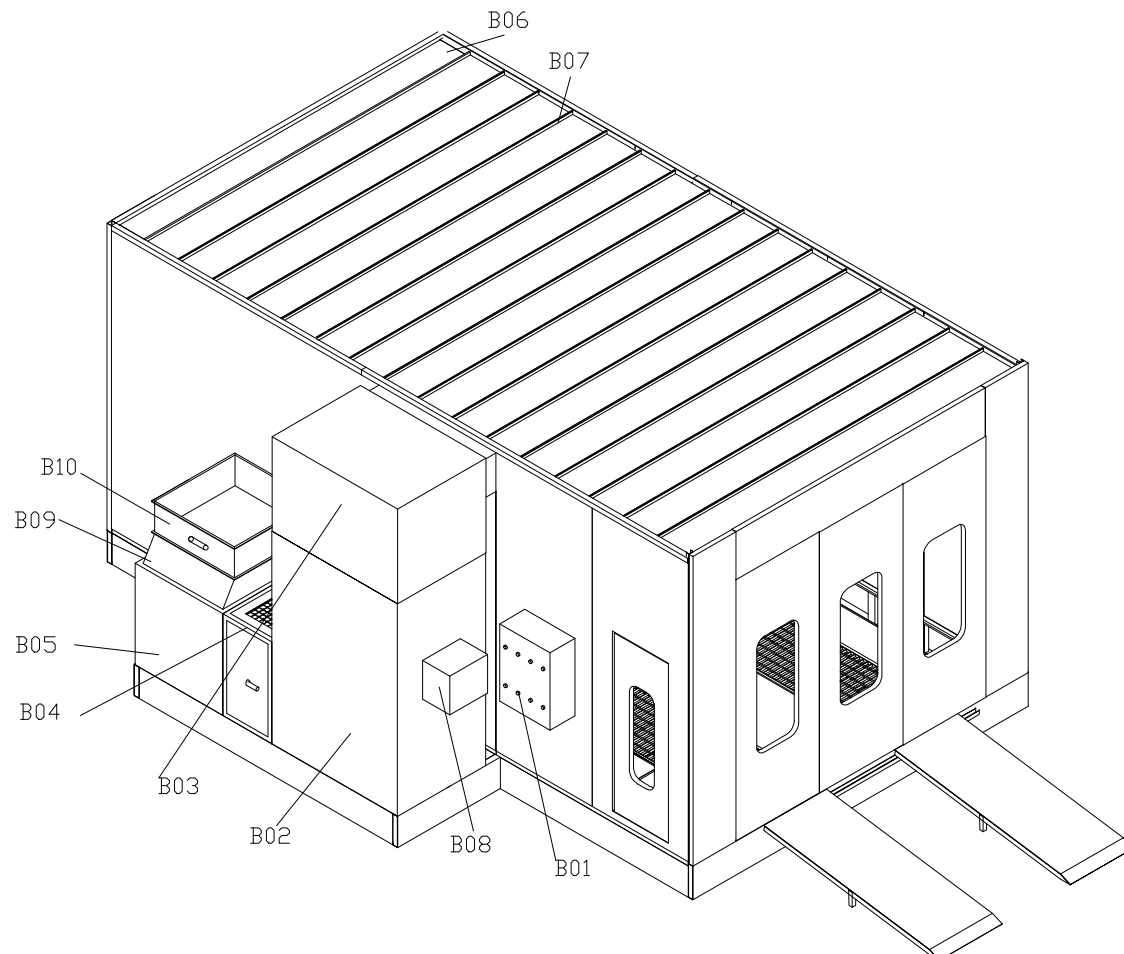


支承梁C08两面各有一个连接包边C13

each support beam with cover rim 13 for tow sides

7	C14	connect rim of roof suport beam(3)	1. 5X120X150X48	2	
6	C13	connect rim of roof suport beam(2)	1. 5X80X50X48	16	
5	C12	connect rim of roof suport beam(1)	0. 6X408X50X48	17	1for spare
4	C11	rim of roof support beam	1. 5X2715X54X48	3	
3	C10	rim of roof support beam	1. 5X2046X54X48	6	
2	C09	hanger	278	4	
1	C08	support beam	40X80方管Z3900	2	
No.	Item No.	Name	Spec.	Qty.	

				Plenum Layout		GL2-N2(GL3-N2)		
						图样标记	重量	比例
标准	数量	更改大写字	签字	日期				
设计	标准化							
绘图	审核							
工艺	日期							
 GZ GUANGLI EFE CO., LTD.								



8	B07	roof cover panel	0.6*313*3895	1	
7	B06	roof cover panel	0.6*313*3895	21	
6	B05	exhaust fan	1075*1055*1020	1	
5	B04	damper	1075*600*1020	1	
4	B03	top frame of generator	1075*1500*1145	1	
3	B02	middle frame of generator	1075*1500*2030	1	
2	A20	air inlet	1420*400*250	1	
1	B01	control box		1	
No.	Item No.	Name	Spec.	Qty.	

Body layout

GL2-N2(GL3-N2)

图	样	标	记	重	量	比	例
							1: 63

标准	类别	更改文字号	签字	日期
设计	陈震	标准化		
绘图				
/审核/				
/工艺/				

